

# BRIO CIRCULATOR



“A workhorse circulator that that you can rely on.”

A circulation unit built to handle small to medium sized lakes, ponds and water features. This is a non-ornamental solution that circulates large volume of water to control the growth of any algae or aquatic weeds and maintain healthy-looking, clear water. Great for lakes and ponds in farms, nurseries and wineries in which functionality is more needed than the visual appearance. Brio Circulators are also designed to also work with a solar system for non-powered sites.

The Brio Circulator is a water circulator used in applications to provide mixing, destratification, and circulation of a waterbody and provides extremely effective algae control in lakes and ponds. The unit, when in operation, maintains constant water movement from the surface to the bed of a water body. Potential applications include effluent mixing, promotion of channel flow and provision of effective circulation to de-stratify waterbodies. The submersible motor unit provides direct drive to twin propellers (180 mm in diameter) rotating at 1400 RPM.

## Key Features

- High flow.
- Lightweight.
- Adjustable motor depth and orientation.
- Energy efficient.

## Technical Data

Supply Requirements (V)	Rated Power (HP)	Rated Power (KW)
240 Single Phase	1.0	1.2
415 Three Phase	1.0	1.2

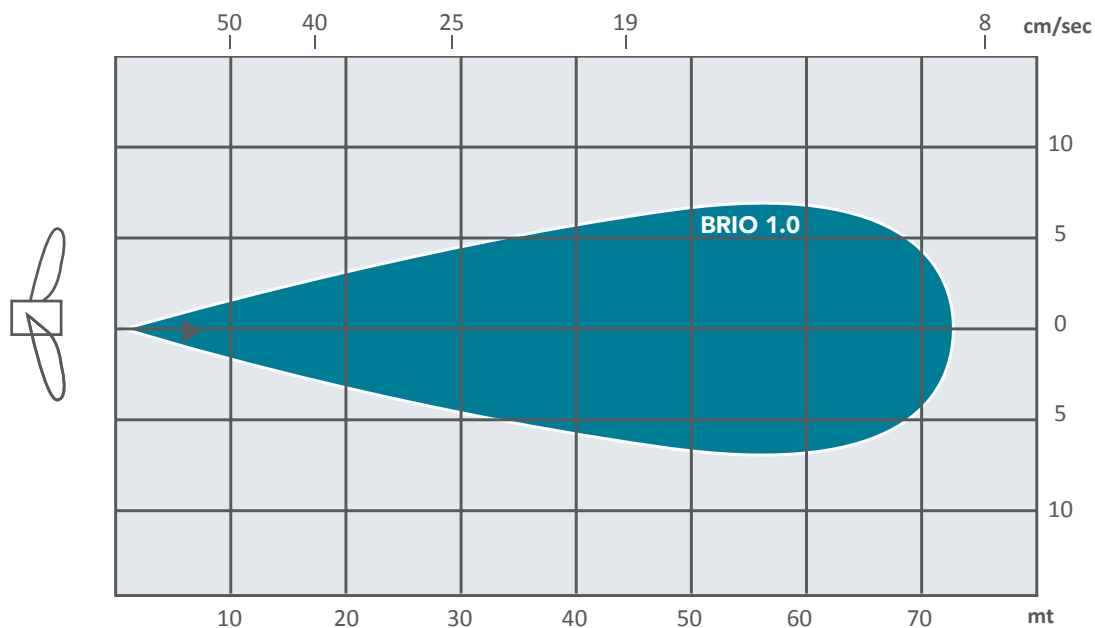
  

Rated Current (A)	Propeller Rotational Speed (RPM)	Mixing Volume Capability (kL/Hr)
4.5	1400	1200
2.0	1400	1200

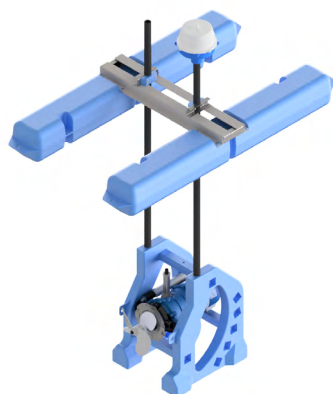
# Brio Circulator Performance Curves

## Brio 1.0 HP

Curve A



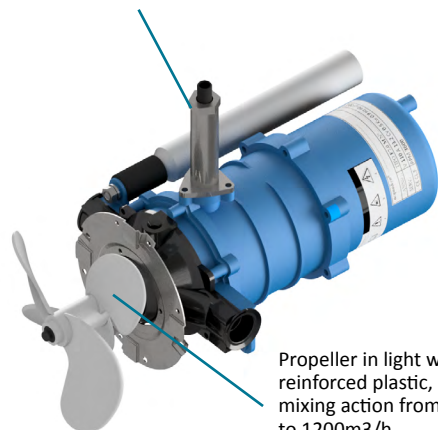
## Supports



### FLOATING INSTALLATION

Light weight and easy to install, for standard aquaculture applications.

Anode in Al-Zn to avoid motor corrosion in the most demanding environment



Propeller in light weight reinforced plastic, high mixing action from 600 to 1200m<sup>3</sup>/h